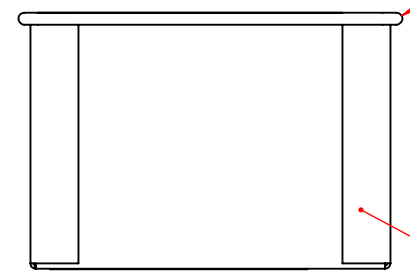
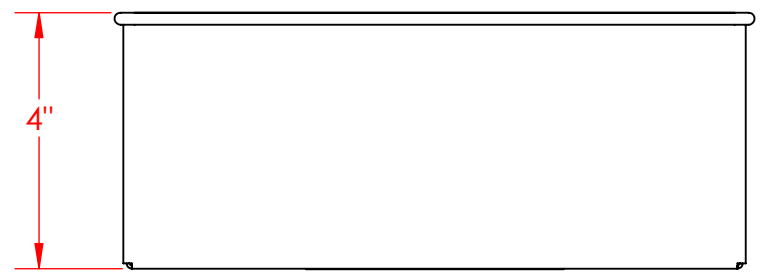
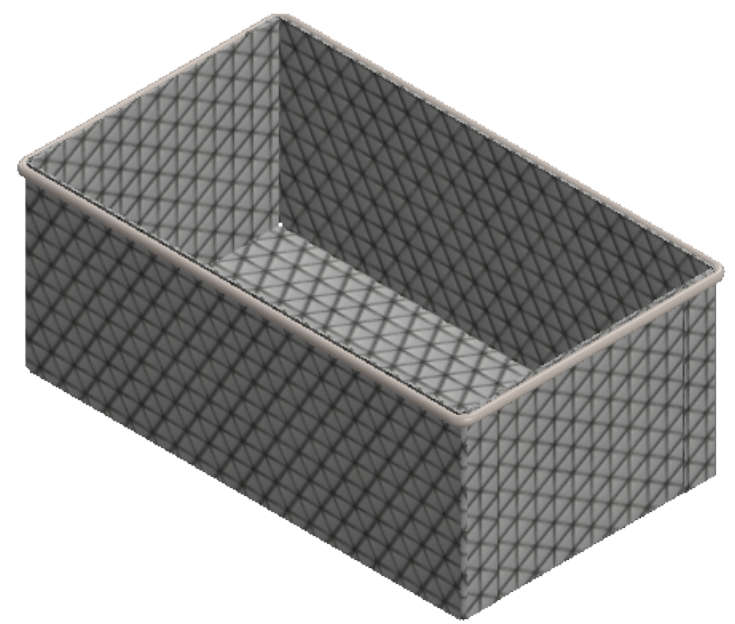
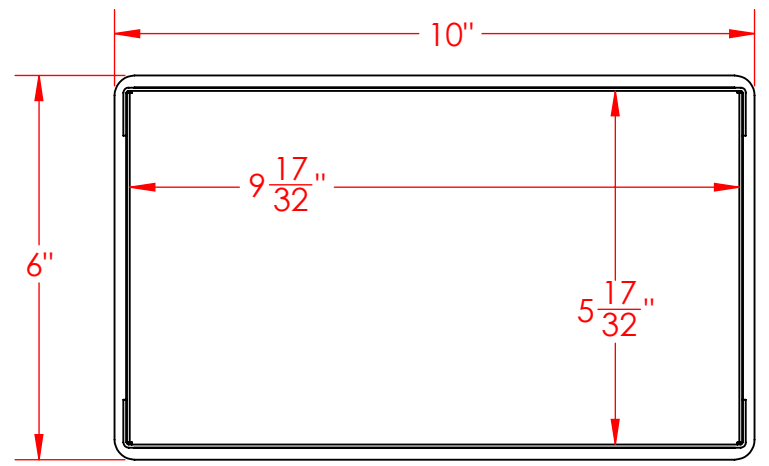


8 7 6 5 4 3 2 1

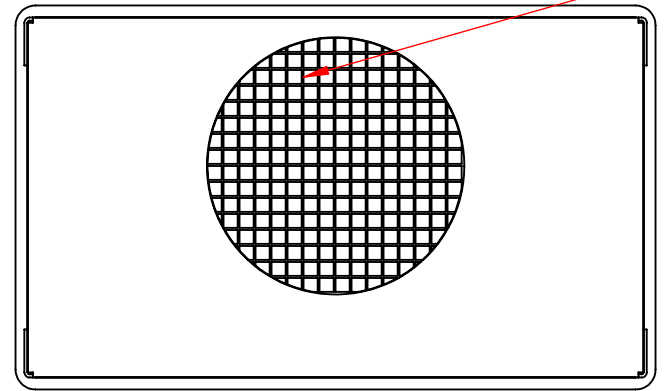
D
C
B
A

D
C
B
A



$\phi \frac{3}{16}$ "
Rod Frame

Mesh Flaps to Close
and Secure Corners



One Piece Mesh Body of
4 Mesh x .032" Welded Wire
(.218" Openings, 76% Open Area)

UNLESS OTHERWISE SPECIFIED:
DIMENSIONS ARE IN INCHES
TOLERANCES:
FRACTIONAL $\pm 1/16$ "
ANGULAR: ± 5 DEG.
TWO PLACE DECIMAL ± 0.03
THREE PLACE DECIMAL ± 0.015

EST WGT
0.6 lbs.
MATERIAL
304 Stainless Steel
FINISH
Natural

Light Duty Mesh Basket:
10Lx6Wx4H, 304 SS, No Handles,
Mesh: 4 x .032

SIZE **B** DWG. NO.
FLB-100060040-N04S

PROPRIETARY AND CONFIDENTIAL
THE INFORMATION CONTAINED IN THIS
DRAWING IS THE SOLE PROPERTY OF
THREE M TOOL. ANY REPRODUCTION IN
PART OR AS A WHOLE WITHOUT THE
WRITTEN PERMISSION OF THREE M TOOL
IS PROHIBITED.

DO NOT SCALE DRAWING

SCALE: 1:3

SHEET 1 OF 1

8 7 6 5 4 3 2 1